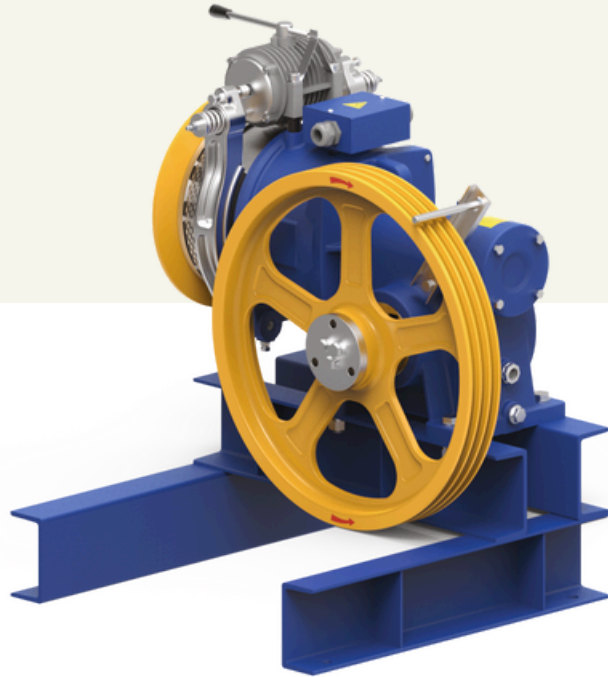




*Sunrise Enterprises*

## CAULDRON SERIES

| Geared Traction Machine |



**Static Load (Kg)**  
2200



**Gear Ratio**  
1/37



**Brake Voltage (DC)**  
110V, 220V

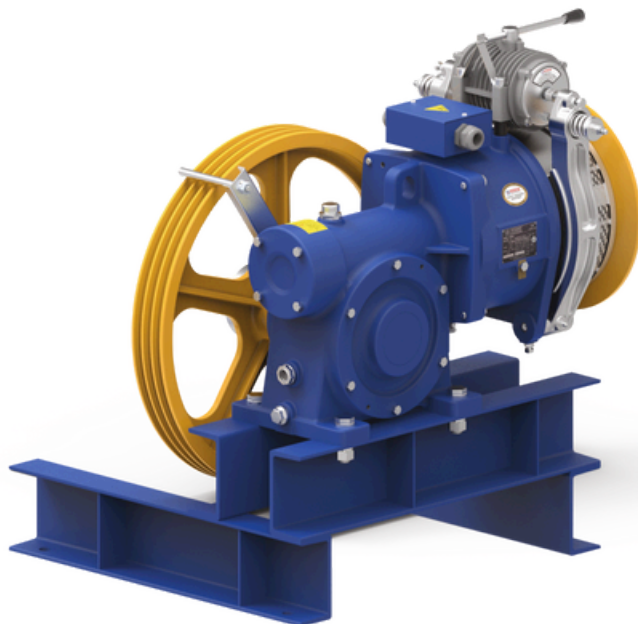


**Oil Capacity (Ltr)**  
1.5



**Weight of Machine (kg)**  
180\* (With Bed Plate)\*

\* Weight of machine is varies according to selection of sheave, Motor & Drive system.



# Geared Traction Machine

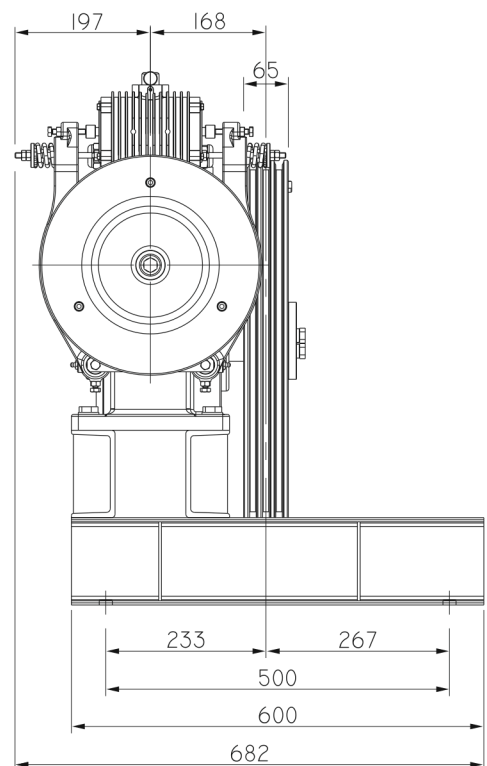
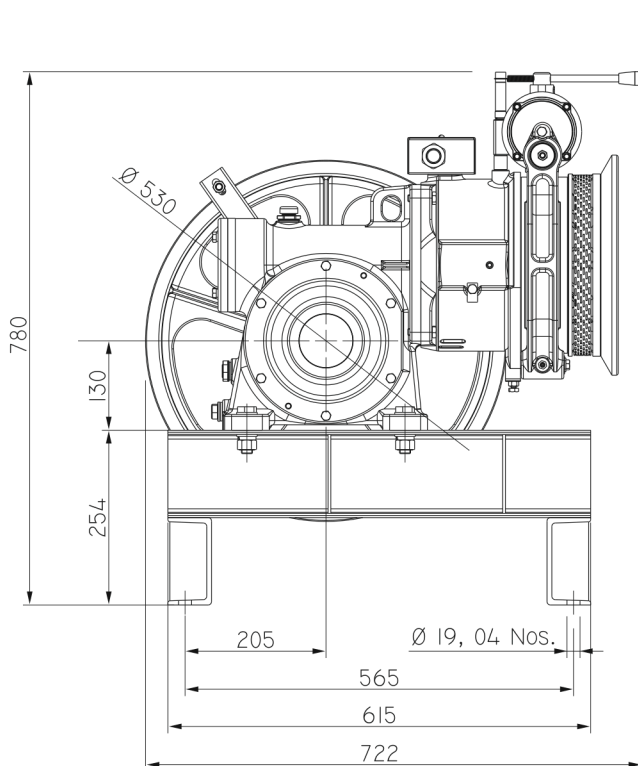


Listed loads don't include the rope's weight.  
In order to know the net loads capacity, subtract rope's weight from the listed loads.

Position of the gearbox Up  
Counter weight 50%  
Plant efficiency 0.80

Machine	Duty Load		Roping	400 V		50 Hz		Rated Current (A)	Travelling : - 21 mtr	
	Person	Kg		Async. Speed (m/sec)	Ratio	Motor Detail (kw)	RPM (Async.)			Sheave Specification
STARK	6	408	1:1	1.00	1/37	4.0	1430	9.0	Ø 530 X 13mm X 3 Grv.	
				0.70	1/37	4.0	1430	9.0	Ø 320 X 8mm X 5 Grv.	

Kindly contact us for various speed and load combination



(All dimensions are in mm)