



马拉兹(江苏)电梯导轨有限公司

地址: 江苏省常州市武进区湔里镇东方路6号
电话: +86-519-69876688 传真: +86-519-68863536
邮编: 213155
邮箱: info@marazziguide.com

销售部

电话: 0519-69876729 传真: 0519-69876733
邮箱: sales@marazziguide.com

Marazzi (Jiangsu) Elevator Guide Rail Co.Ltd

Add: No.6, Dongfang Road, Huangli Town, Wujin District, Changzhou, Jiangsu, China
Tel: +86-519-69876688 Fax: +86-519-68863536
Code: 213155
E-mail: info@marazziguide.com

Sales Department

Tel: 0519-69876729 Fax: 0519-69876733
E-mail: sales@marazziguide.com

www.marazziguide.com



CATALOGUE 目录

About Us 走进马拉兹

公司简介 / Company Profile	01
发展历程 / Development history	03

Competitive Advantages 核心优势

全产业链 / Industry Chain	05
工艺设备 / Equipment	07
技术研发 / Research and development	09
品质管控 / Quality Control	13

Product Mix 核心产品

主要产品 / Products	15
导轨新老国标尺寸公差对比表 / Product parameters	17
空心导轨及其连接板新老国标尺寸及公差对比表 / Product parameters	23

Competitive Advantages 企业资质与文化

企业资质 / Enterprise qualification	25
企业文化 / Enterprise culture	27

Sales Network 经销网络

经销网络 / Sales Network	29
----------------------	----



About Us

走进马拉兹

公司简介 / Company Profile	01
发展历程 / Development history	03

CONCENTRATE / FOCUS / PROFESSIONAL

专心 / 专注 / 专业



COMPANY PROFILE

公司简介

意大利马拉兹公司成立于1968年，是最早专注于生产电梯导轨的厂家之一，是欧洲电梯导轨著名品牌。目前在意大利和中国常州设有两个制造基地，同时在全球各大洲均设有销售网点及物流中心。

马拉兹（江苏）电梯导轨有限公司是由常州东方高精新材料股份有限公司（东方润安集团子公司）与意大利马拉兹公司共同投资组建的中外合资企业。与东方润安集团的强强联合，使马拉兹（江苏）电梯导轨有限公司成为全球唯一一家整合钢铁企业资源，拥有完整产业链的电梯导轨制造商。从铁矿石开始，经炼铁、炼钢、轧钢，直至成品电梯导轨，产业链的整合使导轨原材料的质量得到了最完全的保障，同时，确保了生产成本的最优。

马拉兹（江苏）电梯导轨有限公司拥有全球最先进的全自动生产设备，严格按照六西格玛的要求进行全过程质量管控，公司已全面通过 ISO9000 / ISO14000 / ISO18000 管理体系，致力将马拉兹（江苏）打造成为品质全球第一的电梯导轨供应商。

马拉兹（江苏）生产面积达 50,000 m²，拥有年产 30 万吨导轨的产能，致力将马拉兹（江苏）打造成为市场占有率第一的电梯导轨供应商。

我们的每一位员工秉承“同心同向 共建共享”的价值观，以新的姿态、新的思维、新的作风，立志将马拉兹（江苏）建设成一个受人尊敬的企业。

Marazzi Italy is founded in 1968, is one of the earliest factories focusing on the manufacturing of guide rails, and Marazzi is a famous brand in Europe. Currently we have two bases in Italy and Changzhou China, and set sales networks and logistic centers all over the world.

Marazzi (Jiangsu) Elevator Guide Rail Co., Ltd. is a joint venture that is set up by Changzhou East High Precision Material Co. Ltd (subsidiary of Runan Group) and Marazzi Italy. With the powerful combination with Runan group, Marazzi (Jiangsu) Elevator Guide Rail of Co., Ltd becomes the world's unique enterprise integrated iron and steel, and an elevator guide rail manufacturer with complete industrial chain. From the beginning of iron ore, iron making, steel making, steel rolling, until the finished elevator guide rail, the integration of the industrial chain not only guarantee the quality of the raw material but also ensuring the optimal production costs.

Marazzi (Jiangsu) Elevator Guide Rail Co., Ltd. has the world's most advanced automatic production equipment, strictly in accordance with the requirements of six sigma of the whole process of quality control, the company has been fully passed the ISO9000 / ISO14000 / ISO18000 management. Marazzi (Jiangsu) Elevator Guide Rail Co., Ltd. is committed to be a top quality elevator guide rail supplier.

Marazzi (Jiangsu) Elevator Guide Rail Co., Ltd. production area is 50000 square meters, with an annual output capacity 300,000 tons, is committed to be an elevator guide rail supplier whose market share is No.1.

Every employee of Marazzi (Jiangsu) Elevator Guide Rail Co., Ltd. adhering to the "Unite to improve contribute and shares", with a new attitude, new thinking, new style, determined to construct Marazzi into a respected business.

DEVELOPMENT HISTORY

发展历程

马拉兹（江苏）公司在全球各主要市场均设立了分销机构，致力于成为品质全球第一，市场占有率第一的导轨供应商。

Dealers are settled up in all the major market around the world by Marazzi company. Marazzi (Jiangsu) Elevator Guide Rail Co., Ltd. is committed to be a top quality and biggest market share elevator guide rail supplier.



1968年6月

马拉兹创建于意大利皮亚琴察
In June, 1968, Marazzi S.r.l was founded in Piacenza, Italy



2008年3月

在苏州建设马拉兹电梯导轨（苏州）有限公司
In March, 2008 Marazzi (Suzhou) Elevator Guide Rails Co., Ltd was founded in Suzhou.



2013年1月

意大利马拉兹与东方润安集团共同投资组建马拉兹（江苏）电梯导轨有限公司，占地面积为50,000平方米，一期工程正式投产。
In January 2013, Marazzi S.r.l and Dongfang Runan Group made a joint venture called Marazzi (Jiangsu) Elevator Guide Rails Co., Ltd in 2013, covers an area of 50,000 square meter, the phase 1 is formally into production.



2014年6月

马拉兹（江苏）二期正式投产。
In June, 2014, the phase 2 is formally into production.



2015年5月

马拉兹（江苏）三期正式投产，产能达30万吨。
In May 2015, Phase 3 was formally into production, Annual Capacity reached 300,000 Tons



2015年7月

在广东成立华南物流中心。
In July 2015, Southern China logistic Center Grand Opened in Guang-



中国电梯协会 China Elevator Association

2015年11月

马拉兹（江苏）成为中国电梯协会理事单位。
Became the board of China Elevator Association



2016年2月

在成都成立西南物流中心。
In Feb 2016, Eastern China logistic Center formally established in Sichuan.



2016年6月

成立印度代表处。
In March, 2016 set up India office to provide localization service to India market



不断发展的全球化马拉兹.....
Marazzi Globalization Continuous Expand.....

Competitive Advantages

核心优势

全产业链 / Industry Chain	05
工艺设备 / Equipment	07
技术研发 / Research and development	09
品质管控 / Quality Control	13

CONCENTRATE / FOCUS / PROFESSIONAL

专心 / 专注 / 专业

INDUSTRY CHAIN

全产业链整合

行业唯一
质量最佳
成本最优

Industry 's Only
Best Quality
optimal cost

SINTER 01
烧结



IRON-CASTING 02
炼铁



STEEL-MAKING 03
炼钢 (方坯)



STEEL-ROLLING 04
轧钢 (毛坯)



GUIDE RAIL PRODUCT 05
导轨成品



ELEVATOR MARKET 06
电梯市场





PROCESS EQUIPMENT

工艺设备



意大利轧制设备

由世界著名冶金设备制造商意大利达涅利冶金设备有限公司设计制造，采用达涅利高刚度、短应力线轧机的生产线，首创矩形坯全连轧异型钢工艺，为精品型材高效、优质生产提供了充分保证。

Italy Rolling Equipment

Designed by the world famous metallurgical equipment manufacturers, Italy Danieli Metallurgical Equipment Co., Ltd. With Danieli high stiffness, short stress line mill production lines, rectangular billet continuous mill of special-shaped steel process first. Provide a full guarantee of the High quality products and efficient production.



全自动对中龙门刨床

无须人工校正，全自动对中，加工后导轨不存在小弯

Automatic Planer

Without manual correction, automatic processing, There is no small bend after machining

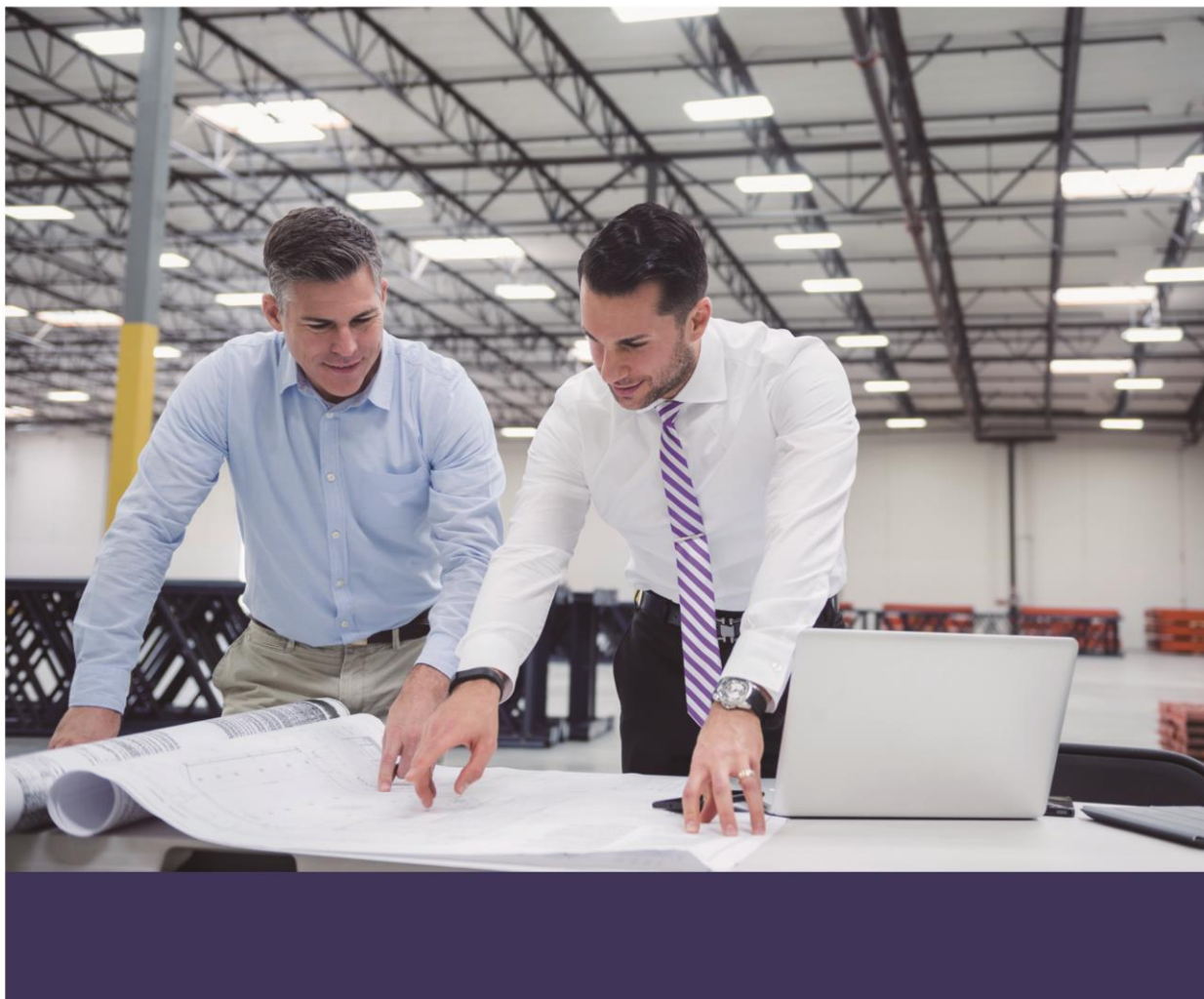


数控矫直中心

多点矫直，检测精度提高1倍，100%精度检测
确保导轨直线度合格率100%

NC Straightening Center

Multi-point straightening, detection accuracy increased by 1 times, 100% accuracy detection. Ensure Pass rate 100% of the straightness of Guide Rail.



RESEARCH AND DEVELOPMENT

技术研发

公司具有很强的技术研发优势，设有欧洲工程技术研究中心和中国工程技术研究中心，与南京理工大学、扬州大学、沙洲工学院、北京自动化研究所等专业院校进行产学研合作。研发中心不断为客户开发、研制高端产品。并为客户提供导轨整体解决方案。

We have strong technology research and development abilities, we set engineering technology research center in European and China . We cooperate with Nanjing Science University, Yangzhou University, sand Institute of technology, Beijing Research Institute of automation and other professional institutions, industry-education-research institution collaboration. R & D Center is used to develop and research high-class products. And provide customers with the overall solution of the guide rails.



核心知识产权

专利28个

Core intellectual property rights: 28 patents



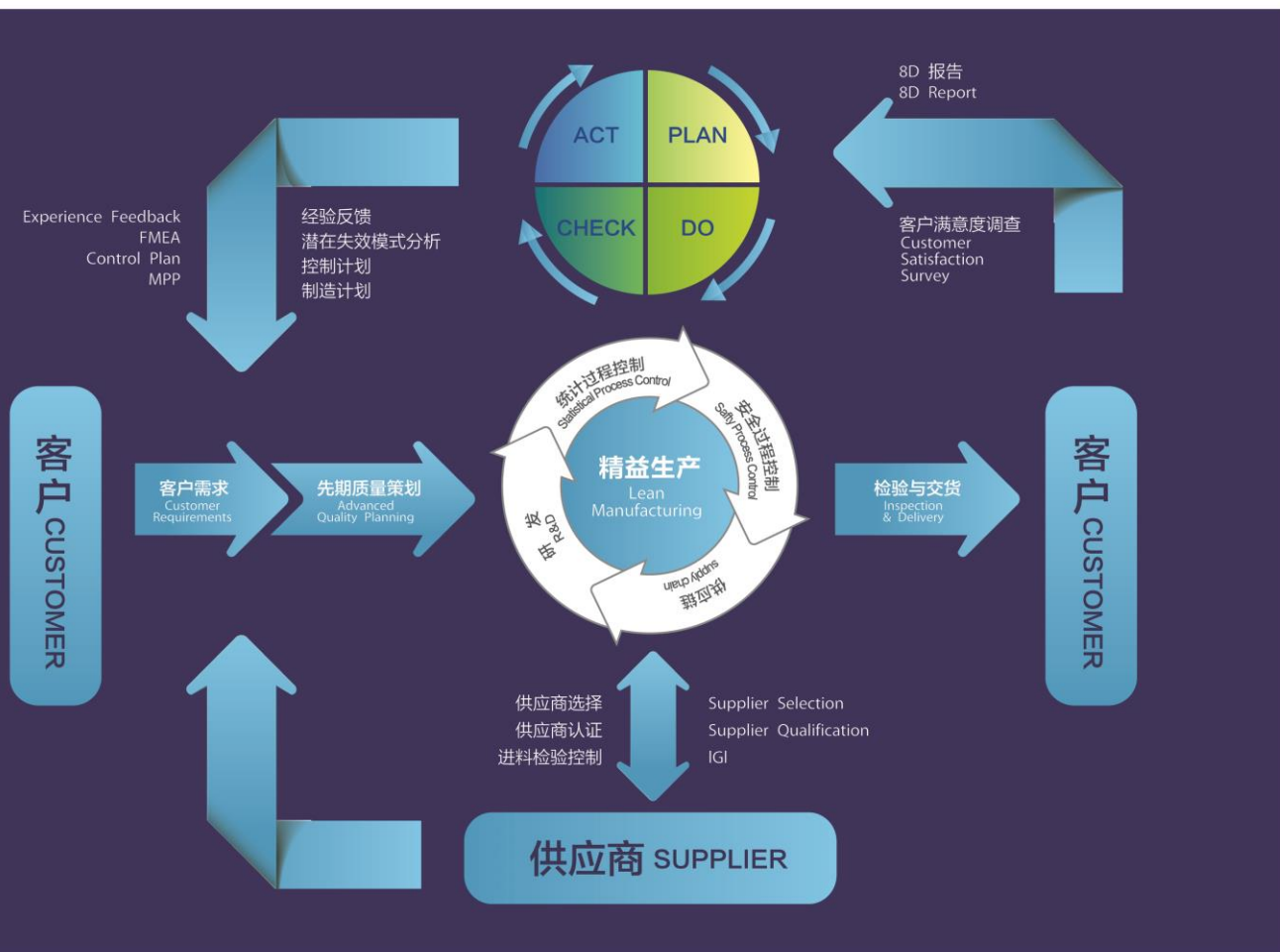
SYMMETRIC ROLLING PROCESS

对称轧制工艺

此技术能够在毛坯生产过程中减少弯曲，最大限度降低内应力的产生，保证了原材料的直线度、扭曲度，更专业、更高效、最具竞争力。

Symmetric Rolling Process
This technology can reduce the bending in the production process, ensure the straightness and twist degree of raw materials, more professional, more efficient more competitive.





QUALITY MANAGEMENT

品质管控

马拉兹通过整合精益生产与六西格玛管理来减少业务流程的变异、提高过程的能力和稳定性、提高产品质量的稳定性；缩短生产节拍、准确快速理解和响应客户需求；改善设施布置、充分降低成本、有效利用资源；提高客户满意度并持续改进。

Marazzi Combine the integration of lean production and six sigma management to reduce variation of business processes, improve the capacity and stability of the process, to improve the stability of Production quality; shorten the production cycle, accurately and quickly understand and respond to customer needs; improve the facility layout, efficiently use resources; improve customer satisfaction and make sure continuous progress.



WHOLE PROCESS QUALITY CONTROL SYSTEM COMPREHENSIVELY IMPROVE CONTROL CAPABILITY OF THE QUALITY MANAGEMENT

全过程质量管控体系：全方位提高质量管控能力

Product Mix

核心产品

主要产品 / Products	15
导轨新老国标尺寸公差对比表 / Product parameters	17
空心导轨及其连接板新老国标尺寸及公差对比表 / Product parameters	23

CONCENTRATE / FOCUS / PROFESSIONAL

专心 / 专注 / 专业

PRODUCTS

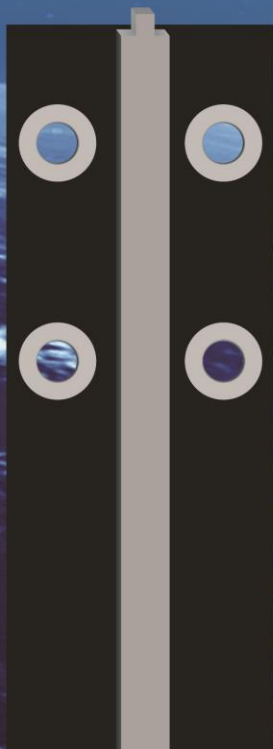
主要产品

匠心打造 成就经典

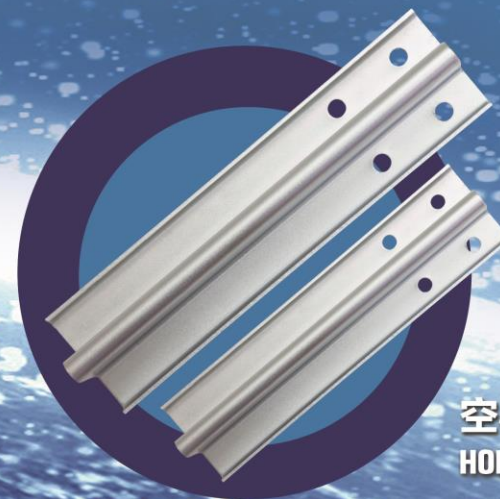
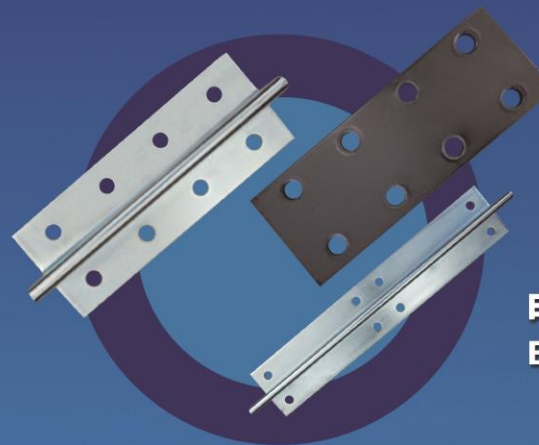
Ingenuity to create classic achievements



实心导轨
MACHINED GUIDE RAILS



电梯配件
ELEVATOR PARTS

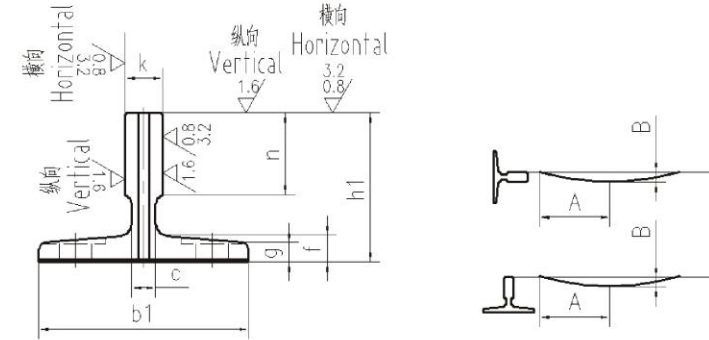


空心导轨
HOLLOW GUIDE RAILS

CONTRAST TABLE B级导轨尺寸公差对比表(单位: mm)

标准 Standard	型号 Type	b1	h1	h	k	n	f	g	c	b3	L3	L2	L	LL	m1	m2	t1	t2	d	d1
		公差 Tolerance (mm)																		
		±1.5	±0.75	±0.1	+0.1 0	+3 0		±0.75		±0.2	±0.2	±0.2	+3 0	新New±2 旧Old±3	+0.06 0	0 -0.06	±0.1	±0.1	+0.43 0	+0.52 0
JG/T 5072.1-1996 ISO 7465:1997	T75/B	75	62	61	10	30	9	7	8	43	30	90	123		3	2.95	3.5	3	13	26
	T89/B	89	62	61	15.88	33.4	11.1	7.9	10	57.2	38.1	114.3	156		6.4	6.37	7.14	6.35	13	26
	T114/B	114	89	88	16	38	12	8	10	74	38.1	114.3	156		6.4	6.37	7.14	6.35	17	33
	T127-1/B	127	88.9	88	15.88	44.5	11.1	7.9	10	79.4	38.1	114.3	156		6.4	6.37	7.14	6.35	17	33
	T127-2/B	127	88.9	88	15.88	50.8	15.9	12.7	10	79.4	38.1	114.3	156		6.4	6.37	7.14	6.35	17	33
	T140-1/B	140	108	107	19	50.8	15.9	12.7	12.7	92.1	31.8	152.4	193		6.4	6.37	7.14	6.35	21	40
	T140-2/B	140	102	101	28.6	50.8	17.5	14.5	17.5	92.1	31.8	152.4	193		6.4	6.37	7.14	6.35	21	40
T140-3/B	140	127	126	31.75	57.2	25.4	17.5	19	92.1	31.8	152.4	193		6.4	6.37	7.14	6.35	21	40	
JG/T 5072.1-1996 ISO 7465:1997 GB/T 22562-2008 ISO 7465:2007	T70/B	70	65	64	9	34	8	6	6	42	25	105	128		3	2.95	3.5	3	13	26
	T78/B	78	56	55	10	26	8.5	6	7	42	25	105	138		3	2.97	3.5	3	13	26
	T82/B	82.5	68.25	66.6	9	25.4	8.25	6	7.5	50.8	27	81	111		3	2.95	3.5	3	13	26
	T90/B	90	75	74	16	42	10	8	10	57.2	38.1	114.3	156		6.4	6.37	7.14	6.35	13	26
	T125/B	125	82	81	16	42	12	9	10	79.4	38.1	114.3	156		6.4	6.37	7.14	6.35	17	33
GB/T 22562-2008 ISO 7465:2007	T75/B	75	62	61	10	30	9	7	8	42	25	105	138		3	2.97	3.5	3	13	26
	T89/B	89	62	61	16	34	11.1	7.9	10	57.2	38.1	114.3	156		6.4	6.37	7.14	6.35	13	26
	T114/B	114	89	88	16	38	11	8	9.5	70	38.1	114.3	156		6.4	6.37	7.14	6.35	17	33
	T127-1/B	127	89	88	16	45	11	8	10	79.4	38.1	114.3	156		6.4	6.37	7.14	6.35	17	33
	T127-2/B	127	89	88	16	51	15.9	12.7	10	79.4	38.1	114.3	156		6.4	6.37	7.14	6.35	17	33
	T140-1/B	140	108	107	19	51	15.9	12.7	12.7	92.1	31.8	152.4	193		6.4	6.37	7.14	6.35	21	40
	T140-2/B	140	102	101	28.6	51	17.5	14.5	17.5	92.1	31.8	152.4	193		6.4	6.37	7.14	6.35	21	40
T140-3/B	140	127	126	31.75	57	25.4	17.5	19	92.1	31.8	152.4	193		6.4	6.37	7.14	6.35	21	40	
厂标 Marazzi	T82-3/B	82	62	61	15.88	30	10	7.5	8	50	38.1	114.3	156		3	2.95	3.5	3	13	26
标准 Standard	型号 Type	±1.5	±0.75	±0.1	+0.05 -0.01	+3 0		±0.75		±0.2	±0.2	±0.2	+3 0	±3	+0.06 0	-0.03 -0.09	±0.1	±0.1	+0.43 0	+0.52 0
厂标 Marazzi	T89-1	89	62	61	16	32	9	7	8	57.2	38.1	114.3	156		4	4	4.5	4	13	26

SECTIONAL DRAWING 截面图



T型电梯导轨截面图

Section diagram of T type guide rail

级别 Grade	直线度(B/A) Straightness	扭曲度(' /m) Twist
B	≤0.001	30
B+	≤0.0008	30
BE	≤0.0004	15
BE+	≤0.0002	10

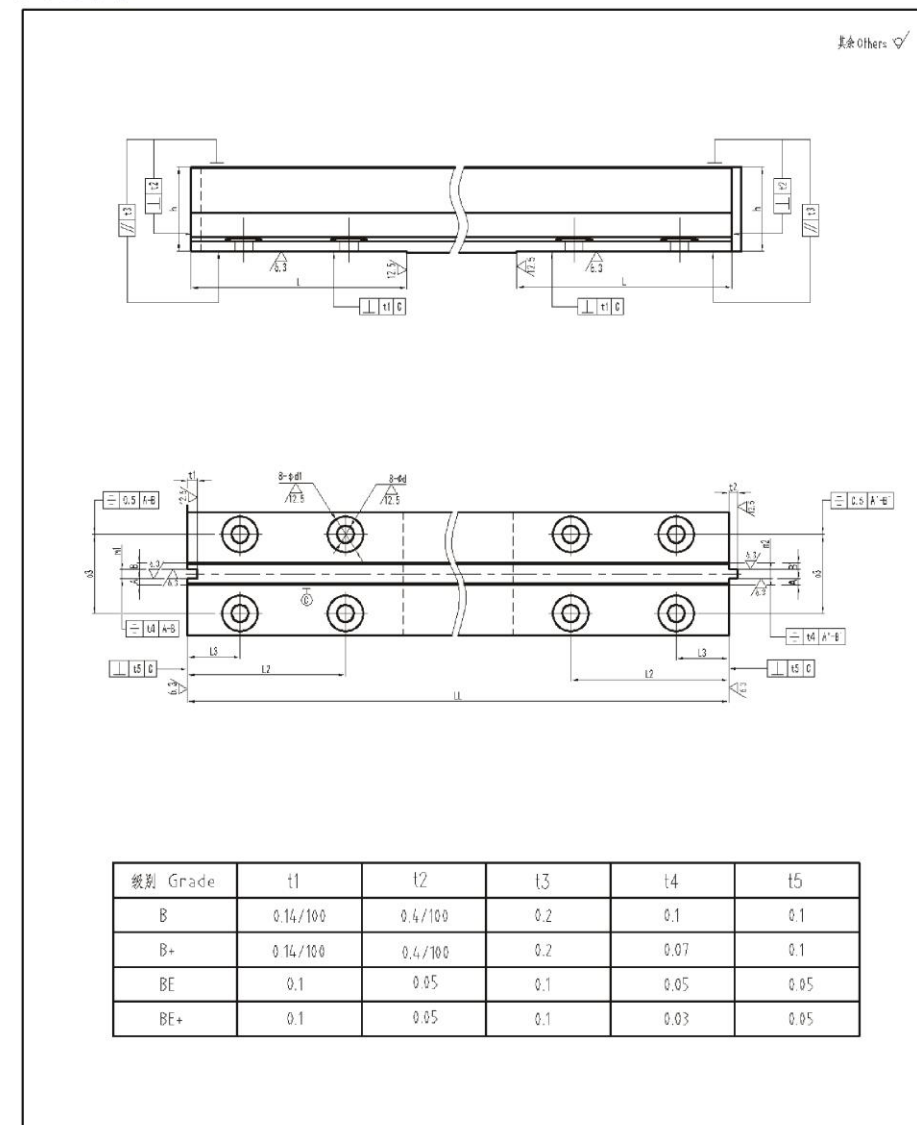
CONTRAST TABLE

B+级导轨尺寸公差对比表 (单位: mm)

标准 Standard	型号 Type	b1	h1	h	k	n	f	g	c	b3	L3	L2	L	LL	m1	m2	t1	t2	d	d1
		公差 Tolerance (mm)																		
		±1.5	±0.75	±0.07	+0.07 0	+3 0		±0.75		±0.2	±0.2	±0.2	+3 0	±2	+0.05 0	0 -0.05	±0.1	±0.1	+0.43 0	+0.52 0
JG/T 5072.1-1996 ISO 7465:1996	T75/B+(Marazzi)	75	62	61	10	30	9	7	8	43	30	90	123		3	2.95	3.5	3	13	26
	T89/B+(Marazzi)	89	62	61	15.88	33.4	11.1	7.9	10	57.2	38.1	114.3	156		6.4	6.37	7.14	6.35	13	26
	T114/B+(Marazzi)	114	89	88	16	38	12	8	10	74	38.1	114.3	156		6.4	6.37	7.14	6.35	17	33
	T127-1/B+(Marazzi)	127	88.9	88	15.88	44.5	11.1	7.9	10	79.4	38.1	114.3	156		6.4	6.37	7.14	6.35	17	33
	T127-2/B+(Marazzi)	127	88.9	88	15.88	50.8	15.9	12.7	10	79.4	38.1	114.3	156		6.4	6.37	7.14	6.35	17	33
	T140-1/B+(Marazzi)	140	108	107	19	50.8	15.9	12.7	12.7	92.1	31.8	152.4	193		6.4	6.37	7.14	6.35	21	40
	T140-2/B+(Marazzi)	140	102	101	28.6	50.8	17.5	14.5	17.5	92.1	31.8	152.4	193		6.4	6.37	7.14	6.35	21	40
T140-3/B+(Marazzi)	140	127	126	31.75	57.2	25.4	17.5	19	92.1	31.8	152.4	193		6.4	6.37	7.14	6.35	21	40	
JG/T 5072.1-1996 ISO 7465:1997 GB/T 22562:2008 ISO 7465:2007	T70/B+(Marazzi)	70	65	64	9	34	8	6	6	42	25	105	128		3	2.95	3.5	3	13	26
	T78/B+(Marazzi)	78	56	55	10	26	8.5	6	7	42	25	105	138		3	2.97	3.5	3	13	26
	T82/B+(Marazzi)	82.5	68.25	66.6	9	25.4	8.25	6	7.5	50.8	27	81	111		3	2.95	3.5	3	13	26
	T90/B+(Marazzi)	90	75	74	16	42	10	8	10	57.2	38.1	114.3	156		6.4	6.37	7.14	6.35	13	26
	T125/B+(Marazzi)	125	82	81	16	42	12	9	10	79.4	38.1	114.3	156		6.4	6.37	7.14	6.35	17	33
GB/T 22562:2008 ISO 7465:2007	T75/B+(Marazzi)	75	62	61	10	30	9	7	8	42	25	105	138		3	2.97	3.5	3	13	26
	T89/B+(Marazzi)	89	62	61	16	34	11.1	7.9	10	57.2	38.1	114.3	156		6.4	6.37	7.14	6.35	13	26
	T114/B+(Marazzi)	114	89	88	16	38	11	8	9.5	70	38.1	114.3	156		6.4	6.37	7.14	6.35	17	33
	T127-1/B+(Marazzi)	127	89	88	16	45	11	8	10	79.4	38.1	114.3	156		6.4	6.37	7.14	6.35	17	33
	T127-2/B+(Marazzi)	127	89	88	16	51	15.9	12.7	10	79.4	38.1	114.3	156		6.4	6.37	7.14	6.35	17	33
	T140-1/B+(Marazzi)	140	108	107	19	51	15.9	12.7	12.7	92.1	31.8	152.4	193		6.4	6.37	7.14	6.35	21	40
	T140-2/B+(Marazzi)	140	102	101	28.6	51	17.5	14.5	17.5	92.1	31.8	152.4	193		6.4	6.37	7.14	6.35	21	40
T140-3/B+(Marazzi)	140	127	126	31.75	57	25.4	17.5	19	92.1	31.8	152.4	193		6.4	6.37	7.14	6.35	21	40	
厂标 Marazzi	T82-3/B+	82	62	61	15.88	30	10	7.5	8	50	38.1	114.3	156		3	2.95	3.5	3	13	26

SIZE CHART

尺寸图



CONTRAST TABLE BE级导轨尺寸公差对比表(单位: mm)

标准 Standard	型号 Type	b1	h1	h	k	n	f	g	c	b3	L3	L2	L	LL	m1	m2	t1	t2	d	d1
		公差 Tolerance (mm)																		
		±1.5	±0.75	±0.05	+0.05 0	+3 0		±0.75		±0.2	±0.2	±0.2	+3 0	±2	+0.03 0	0 -0.03	±0.1	±0.1	+0.43 0	+0.52 0
JG/T 5072.1-1996 ISO 7465:1997	T75/BE(Marazzi)	75	62	61	10	30	9	7	8	43	30	90	123		3	2.95	3.5	3	13	26
	T89/BE(Marazzi)	89	62	61	15.88	33.4	11.1	7.9	10	57.2	38.1	114.3	156		6.4	6.37	7.14	6.35	13	26
	T114/BE(Marazzi)	114	89	88	16	38	12	8	10	74	38.1	114.3	156		6.4	6.37	7.14	6.35	17	33
	T127-1/BE	127	88.9	88	15.88	44.5	11.1	7.9	10	79.4	38.1	114.3	156		6.4	6.37	7.14	6.35	17	33
	T127-2/BE	127	88.9	88	15.88	50.8	15.9	12.7	10	79.4	38.1	114.3	156		6.4	6.37	7.14	6.35	17	33
	T140-1/BE	140	108	107	19	50.8	15.9	12.7	12.7	92.1	31.8	152.4	193		6.4	6.37	7.14	6.35	21	40
	T140-2/BE	140	102	101	28.6	50.8	17.5	14.5	17.5	92.1	31.8	152.4	193		6.4	6.37	7.14	6.35	21	40
T140-3/BE	140	127	126	31.75	57.2	25.4	17.5	19	92.1	31.8	152.4	193		6.4	6.37	7.14	6.35	21	40	

JG/T 5072.1-1996 ISO 7465:1997 GB/T 22562-2008 ISO 7465:2007	T70/BE(Marazzi)	70	65	64	9	34	8	6	6	42	25	105	128		3	2.95	3.5	3	13	26
	T78/BE(Marazzi)	78	56	55	10	26	8.5	6	7	42	25	105	138		3	2.97	3.5	3	13	26
	T82/BE(Marazzi)	82.5	68.25	66.6	9	25.4	8.25	6	7.5	50.8	27	81	111		3	2.95	3.5	3	13	26
	T90/BE(Marazzi)	90	75	74	16	42	10	8	10	57.2	38.1	114.3	156		6.4	6.37	7.14	6.35	13	26
	T125/BE	125	82	81	16	42	12	9	10	79.4	38.1	114.3	156		6.4	6.37	7.14	6.35	17	33

GB/T 22562-2008 ISO 7465:2007	T75/BE(Marazzi)	75	62	61	10	30	9	7	8	42	25	105	138		3	2.97	3.5	3	13	26
	T89/BE(Marazzi)	89	62	61	16	34	11.1	7.9	10	57.2	38.1	114.3	156		6.4	6.37	7.14	6.35	13	26
	T114/BE(Marazzi)	114	89	88	16	38	11	8	9.5	70	38.1	114.3	156		6.4	6.37	7.14	6.35	17	33
	T127-1/BE	127	89	88	16	45	11	8	10	79.4	38.1	114.3	156		6.4	6.37	7.14	6.35	17	33
	T127-2/BE	127	89	88	16	51	15.9	12.7	10	79.4	38.1	114.3	156		6.4	6.37	7.14	6.35	17	33
	T140-1/BE	140	108	107	19	51	15.9	12.7	12.7	92.1	31.8	152.4	193		6.4	6.37	7.14	6.35	21	40
	T140-2/BE	140	102	101	28.6	51	17.5	14.5	17.5	92.1	31.8	152.4	193		6.4	6.37	7.14	6.35	21	40
T140-3/BE	140	127	126	31.75	57	25.4	17.5	19	92.1	31.8	152.4	193		6.4	6.37	7.14	6.35	21	40	

厂标 Marazzi	T82-3/BE	82	62	61	15.88	30	10	7.5	8	50	38.1	114.3	156		3	2.95	3.5	3	13	26
---------------	----------	----	----	----	-------	----	----	-----	---	----	------	-------	-----	--	---	------	-----	---	----	----

标准 Standard	型号 Type	±1.5	+0.8 +0.2	±0.05	+0.02 -0.01	+3 0		±0.75		±0.2	±0.2	±0.2	+3 0	±3	+0.03 0	-0.04 -0.07	±0.1	±0.1	+0.43 0	+0.52 0
厂标 Marazzi	T89-1	89	62	61	16	32	9	7	8	57.2	38.1	114.3	156		4	4	4.5	4	13	26

CONTRAST TABLE BE+级导轨尺寸公差对比表 (单位: mm)

标准 Standard	型号 Type	b1	h1	h	k	n	f	g	c	b3	L3	L2	L	LL	m1	m2	t1	t2	d	d1
		公差 Tolerance (mm)																		
		±1.5	±0.75	±0.03	+0.03 0	+3 0		±0.75		±0.2	±0.2	±0.2	+3 0	±2	+0.02 0	0 -0.02	±0.1	±0.1	+0.43 0	+0.52 0
JG/T 5072.1-1996 ISO 7465:1997	T75/BE+(Marazzi)	75	62	61	10	30	9	7	8	43	30	90	123		3	2.95	3.5	3	13	26
	T89/BE+(Marazzi)	89	62	61	15.88	33.4	11.1	7.9	10	57.2	38.1	114.3	156		6.4	6.37	7.14	6.35	13	26
	T114/BE+(Marazzi)	114	89	88	16	38	12	8	10	74	38.1	114.3	156		6.4	6.37	7.14	6.35	17	33
	T127-1/BE+(Marazzi)	127	88.9	88	15.88	44.5	11.1	7.9	10	79.4	38.1	114.3	156		6.4	6.37	7.14	6.35	17	33
	T127-2/BE+(Marazzi)	127	88.9	88	15.88	50.8	15.9	12.7	10	79.4	38.1	114.3	156		6.4	6.37	7.14	6.35	17	33
	T140-1/BE+(Marazzi)	140	108	107	19	50.8	15.9	12.7	12.7	92.1	31.8	152.4	193		6.4	6.37	7.14	6.35	21	40
	T140-2/BE+(Marazzi)	140	102	101	28.6	50.8	17.5	14.5	17.5	92.1	31.8	152.4	193		6.4	6.37	7.14	6.35	21	40
T140-3/BE+(Marazzi)	140	127	126	31.75	57.2	25.4	17.5	19	92.1	31.8	152.4	193		6.4	6.37	7.14	6.35	21	40	

JG/T 5072.1-1996 ISO 7465:1997 GB/T 22562-2008 ISO 7465:2007	T70/BE+(Marazzi)	70	65	64	9	34	8	6	6	42	25	105	128		3	2.95	3.5	3	13	26
	T78/BE+(Marazzi)	78	56	55	10	26	8.5	6	7	42	25	105	138		3	2.97	3.5	3	13	26
	T82/BE+(Marazzi)	82.5	68.25	66.6	9	25.4	8.25	6	7.5	50.8	27	81	111		3	2.95	3.5	3	13	26
	T90/BE+(Marazzi)	90	75	74	16	42	10	8	10	57.2	38.1	114.3	156		6.4	6.37	7.14	6.35	13	26
	T125/BE+(Marazzi)	125	82	81	16	42	12	9	10	79.4	38.1	114.3	156		6.4	6.37	7.14	6.35	17	33

GB/T 22562-2008 ISO 7465:2007	T75/BE+(Marazzi)	75	62	61	10	30	9	7	8	42	25	105	138		3	2.97	3.5	3	13	26
	T89/BE+(Marazzi)	89	62	61	16	34	11.1	7.9	10	57.2	38.1	114.3	156		6.4	6.37	7.14	6.35	13	26
	T114/BE+(Marazzi)	114	89	88	16	38	11	8	9.5	70	38.1	114.3	156		6.4	6.37	7.14	6.35	17	33
	T127-1/BE+(Marazzi)	127	89	88	16	45	11	8	10	79.4	38.1	114.3	156		6.4	6.37	7.14	6.35	17	33
	T127-2/BE+(Marazzi)	127	89	88	16	51	15.9	12.7	10	79.4	38.1	114.3	156		6.4	6.37	7.14	6.35	17	33
	T140-1/BE+(Marazzi)	140	108	107	19	51	15.9	12.7	12.7	92.1	31.8	152.4	193		6.4	6.37	7.14	6.35	21	40
	T140-2/BE+(Marazzi)	140	102	101	28.6	51	17.5	14.5	17.5	92.1	31.8	152.4	193		6.4	6.37	7.14	6.35	21	40
T140-3/BE+(Marazzi)	140	127	126	31.75	57	25.4	17.5	19	92.1	31.8	152.4	193		6.4	6.37	7.14	6.35	21	40	

厂标 Marazzi	T82-3/BE+	82	62	61	15.88	30	10	7.5	8	50	38.1	114.3	156		3	2.95	3.5	3	13	26
---------------	-----------	----	----	----	-------	----	----	-----	---	----	------	-------	-----	--	---	------	-----	---	----	----

CONTRAST TABLE

空心导轨及其连接板新老国标尺寸及公差对比表

导轨主要尺寸参数 Main Parameter													标准 Standard				
	L	b1	c	f	h1	h2	k	n	L2	L3	d	r1	a				
公差 Tolerance (mm)																	
型号 Type	±3			+0.20 -0.15	0 -0.5			±0.4						+60° +20°			
TK3	5000	87±1	≥1.8	2	60		16.4	25	180	20	14	3	90°	JG/T 5072.3-1996			
TK5			3														
TK8		100±2	≥4	4.5	80	22	30	200	25								
TK3A		0	≥1.8	2.2	60	10±1	16.4	25	180	20							
TK5A		78-0.70	3.2														
导轨两端5mm内的顶面与导向面允许有不大于0.5mm均匀收缩斜度。 导轨顶面全长范围内沿导轨长度方向的直线度不应大于2.0mm。(详见图3)																	
公差 Tolerance (mm)																	
型号 Type	±3			+0.20 -0.15	0 -0.5			±0.4	±0.5	±0.3				+60° +20°			
TK3	5000	87±1	≥1.8	2	60		16.4	25	180	20	14	3	90°	GB/T 30977-2014			
TK5			3														
TK8		100±2	≥4	4.5	80	22	30	200	25								
TK3A		78±1	≥1.8	2.2	60	10	16.4	25	75	25					11.5	3	90°
TK5A-1			3														
TK5A	3.2																
导轨两端5mm内的顶面与导向面应有不大于1:10的斜度。 技术要求：导轨顶面与导向面5m范围内沿导轨长度方向的扭曲度在两侧导向面上不应大于2.0mm，在顶面导向面上不应大于2.0mm。(详见图3)																	
连接件尺寸和公差 Fishplate parameter													标准 Standard				
	b2	h3	k1	u	p	b3	r2	d	L1	L2	L3						
公差 Tolerance (mm)																	
型号 Type			±0.2			±0.5			±1.5	±0.5	±0.3						
LK3	87	50	12	3	50	3	14	400	180	20	JG/T 5072.3-1996						
LK5		58	10	4.5								5.5					
LK8	102	76	12.6	4.5	64	6						450	200	25			
LK3A	78	50	12	3	44	3						400	180	20			
LK5A		58	10	4.5											5.5		
公差 Tolerance (mm)																	
型号 Type			±0.2			±0.5			±1.5	±0.5	±0.3						
LK3	87	50	12	3	50	4	14	400	180	20	GB/T 30977-2014						
LK5		58	10	4.5								4.5	5				
LK8		102	76	12.6								4.5	64	5	450	200	25
LK3A	78	50	12	3	44	4						200	75	25			
LK5A-1		58	10.4	4.5											4.5	5	
LK5A		58	10	4.5			4.5	5									

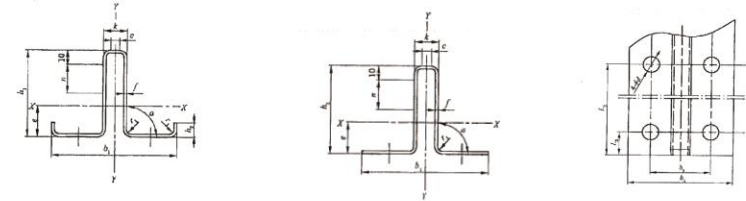


图1：导轨横截面与连接件孔位尺寸
Guide rail cross section and FP hole Size

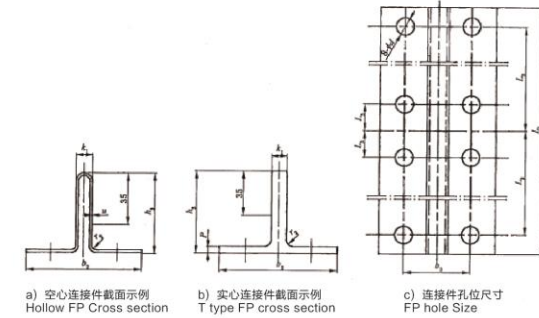


图2：空心与实心连接件横截面与连接件孔位尺寸
FP cross section and hole Size

<p>图3 顶面与导向面直线度 Top surface and guide surface straightness</p>	<p>图4 导向面扭曲度 guide surface Twist</p>	<p>图5 连接件同侧连接面垂直度 verticality</p>	JG/T5072.3-1996
<p>图3 顶面与导向面直线度 Top surface and guide surface straightness</p>	<p>图4 导向面扭曲度 guide surface Twist</p>	<p>图5 连接件同侧连接面垂直度 verticality</p>	GB/T30977-2014

Competitive Advantages

企业资质与文化

企业资质 / Enterprise qualification

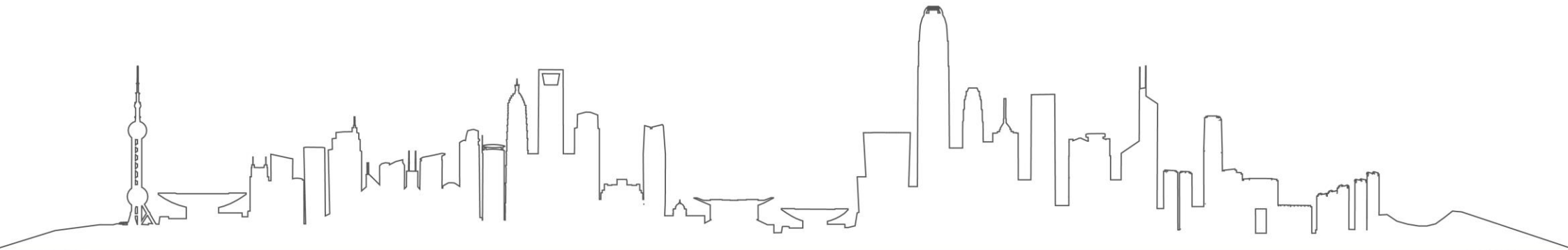
25

企业文化 / Enterprise culture

27

CONCENTRATE / FOCUS / PROFESSIONAL

专心 / 专注 / 专业



ENTERPRISE QUALIFICATION

企业资质

珍藏过去荣耀，创造明天辉煌

Treasure the past glory, Create brilliant future

规范化、系统化管理

Standardized, systematic management





COMPANY CULTURE

企业文化

企业愿景

建设一个有核心竞争力的受人尊敬的企业。我们对所从事的事业充满信心，坚持用创新、勤奋和智慧去为客户创造价值，让员工自豪快乐的工作，与合作伙伴共赢。

核心价值观

同心同向 共建共享

COMPANY VISION

We are engaged in the business with full confidence, persist in creating values for our clients with innovation, diligence, and wisdom, and fulfill our working staff with proud and happiness and make win-win results with our partners.

CORE VALUE

Unite to improve contribute and shares



Sales Network

经销网络

CONCENTRATE / FOCUS / PROFESSIONAL

专心 / 专注 / 专业



SALES NETWORK

经销网络

-  意大利公司
Italy Company
-  中国公司(江苏●常州)
China Company
-  印度代表处
India Representative Office
-  销售网点
Sales Outlets
-  物流中心:华南、西南
Logistic Center:
Southern china, Eastern china

专心 / 专注 / 专业
CONCENTRATE / FOCUS / PROFESSIONAL

WWW.MARAZZIGUIDE.COM

50年专注电梯导轨 匠心打造钻石品质

专心 / 专注 / 专业

50-years focusing on elevator guide rail

Ingenuity to create diamond quality

Concentrate / focus / professional

